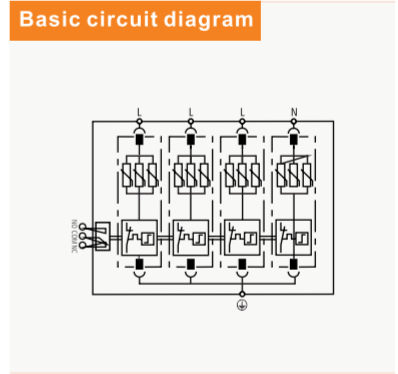
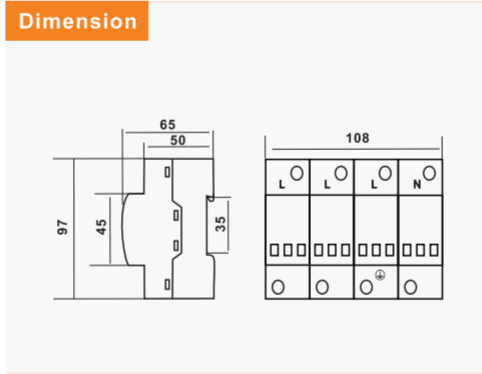


TRS6 Series SPD

SPD type 2–surge arrester, MOV
Pluggable module, visual fault signalling

- Varistor surge arrester
- Installation to sub–distribution boards (I_{max}:80kA) or main distribution boards (I_{max}:100kA)
- For protection of installations and equipments against impact of induced overvoltage during a lightning strike or switching overvoltages.
- Optional remote fault signalling(s)



T2 AC SPD

Parameter/Type		TRS6–B80	TRS6–B100
Nominal voltage	U_n	380V AC	
Maximum operating voltage	U_c	385V AC	
Nominal discharge current (8/20 μ s)	I_n	40kA	60kA
Maximum discharge current (8/20 μ s)	I_{max}	80kA	100kA
Voltage protection level	U_p	$\leq 2,4kV$	$\leq 2,5kV$
Response time	t_a	< 25ns	
Cross–section of connected conductors solid(min/max)		16mm ² /35mm ²	
Cross–section of connected conductors stranded(min/max)		16mm ² /35mm ²	
Fault indication		red indication field	
Remote indication		potential–free change–over contact	
remote indication contacts		250V/0,5A AC, 250V/0,1A DC	
Cross–section of remote indication conductors		1,5mm ²	
Degree of protection		IP20	
Range of operating temperatures (min/ max)		–40°C~ +70°C	
Humidity range		5%~95%	
Mounting		DIN rail 35 mm	
According to standard		EN 61643–11:2012, IEC 61643–11:2011/T2	
Remarks		Other U_c can be customized. (420VAC, 385VAC, 320VAC, etc.)	