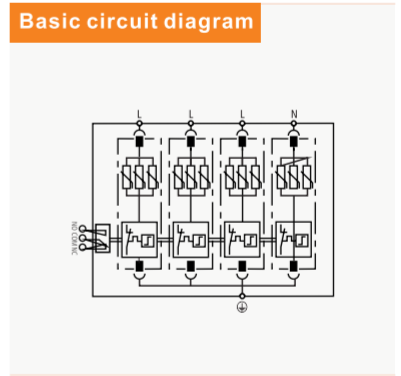
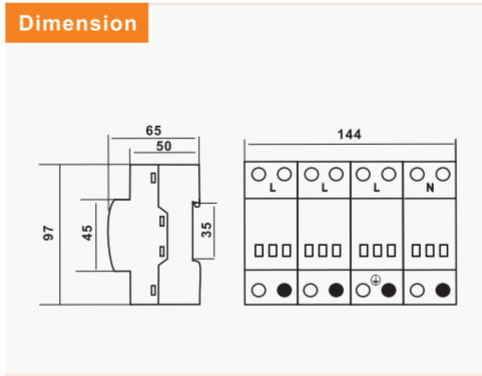


TRS7 Series SPD

SPD type 2–surge arrester, MOV
Pluggable module, visual fault signalling

- Varistor surge arrester
- Installation to sub–distribution boards (I_{max}:80kA) or main distribution boards (I_{max}:100kA/120kA/150kA)
- For protection of installations and equipments against impact of induced overvoltage during a lightning strike or switching overvoltages.
- Optional remote fault signalling(s)



Parameter/Type		TRS7–B80	TRS7–B100	TRS7–B120	TRS7–B150
Nominal voltage	U _n	380V AC			
Maximum operating voltage	U _c	385V AC			
Nominal discharge current (8/20μs)	I _n	40kA	60kA	80kA	100kA
Maximum discharge current (8/20μs)	I _{max}	80kA	100kA	120kA	150kA
Voltage protection level	U _p	≤2,4kV	≤2,5kV	≤3,0kV	≤3,5kV
Response time	t _a	< 25ns			
Cross–section of connected conductors solid(min/max)		16mm ² /35mm ²			
Cross–section of connected conductors stranded(min/max)		16mm ² /35mm ²			
Fault indication		red indication field			
Remote indication		potential–free change–over contact			
remote indication contacts		250V/0,5A AC, 250V/0, 1A DC			
Cross–section of remote indication conductors		1,5mm ²			
Degree of protection		IP20			
Range of operating temperatures (min/ max)		–40°C~ +70°C			
Humidity range		5%~95%			
Mounting		DIN rail 35 mm			
According to standard		EN 61643–11:2012, IEC 61643–11:2011/T2			
Remarks		Other U _c can be customized. (420VAC, 385VAC, 320VAC, etc.)			

T2 AC SPD