

THOR

PROTECTOR OF LIGHTNING PROTECTION
- SINCE 2006 -

Catalogue Photovoltaic DC fuse



Enterprise Certificates

As a manufacturer of surge protective devices that pursues high quality, THOR invests a considerable proportion of its annual revenue in innovation, research and development, and international certification to meet the needs of customers in different fields, obtaining more and more certificates to ensure that our SPDs can be distributed in every corner of the world.

Content

Photovoltaic DC fuse

P01



THPV-30/1000Vdc
THPV-30s/1500Vdc
30A

P02-03



1000Vdc/1500Vdc
10A~30A

P04



THPV-30/L 1000Vdc/1500Vdc
30A

P05-07



THPV-160 1000Vdc/1500Vdc

THPV-30 1000Vdc

Fit for (φ10.3x38)mm Fuse link



Specifications

Rated voltage: 1000Vdc
Rated current: 30A

Standard

IEC60269-6

Typical application

PV combiner box

Product features

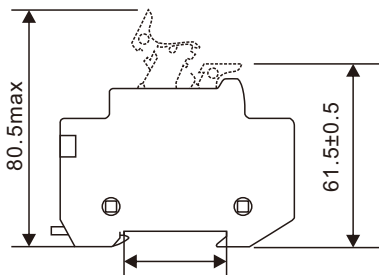
Imported nylon material, V0 flame retardant, high and low temperature resistance
≥24h salt spray test, resistance to acid environment
Silver-plated copper terminal blocks, low temperature use

Product parameters

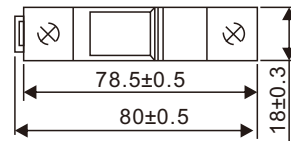
Product code	Rated current	Breaking capacity	Safety certificate	Fitted with fuse-link model size	Net weight
			CE		
THPV-30X	30A	1000Vdc	•	THPV-30 (S) (φ10.3x38)mm	61.5g

Note: • DENOTES FOR CERTIFICATION APPROVED

Product size (mm)



Equipped with TH35-7.5 mounding rail



THPV-30(X)

Note: This base can provide 1P, 2P, 3P, 4P for selection

THPV-30 1000Vdc

(φ10.3x38)mm



■ Specifications

Rated voltage: 1000Vdc
 Rated current: 10A~30A
 Protection category: Full range protection of PV system

■ Typical application

PV combiner box - Solar PV module protection

■ Product features

Low temperature rise, low power consumption and long service life
 Standardized size and compact structure

■ Standard

IEC60269-6

■ Applicable holder & base

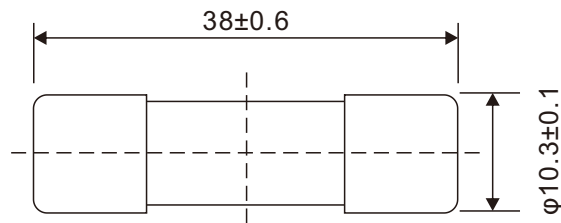
THPV-30 (X) THPV-30 (Clip)

Product parameters

Product code	Rated current	Breaking capacity	Safety certificate	Power loss 1.0In (W)	Net weight
			CE		
THPV30/10	10A	20kA	•	2.2	10g
THPV30/12	12A		•	2.3	
THPV30/15	15A		•	2.7	
THPV30/20	20A		•	3.2	
THPV30/25	25A		•	3.8	
THPV30/30	30A		•	4.5	

Note: • DENOTES FOR CERTIFICATION APPROVED

Product size (mm)

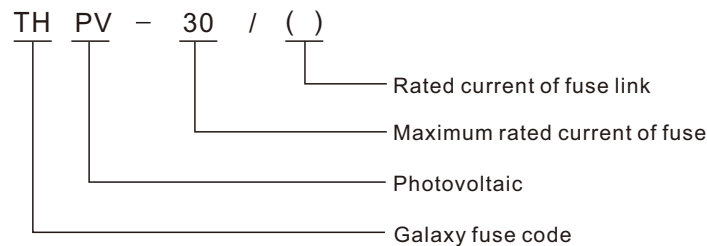


Time-current characteristic

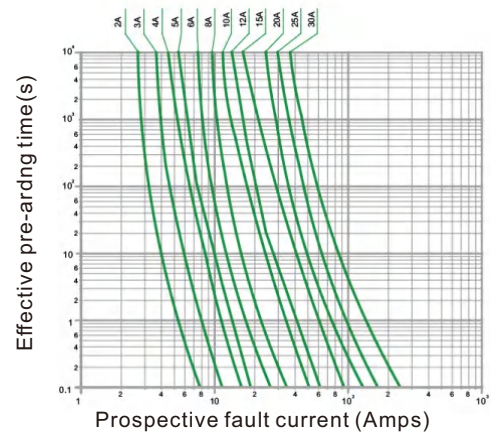
Standard:UL248-19		Standard:IEC60269-6	
135% In	200% In	113% In	145% In
< 1h fusing	<240s fusing	<1h non fusing	<1h fusing

Note: Subsequent standard updates will not affect the performance and normal use of the product.

Model explanation



Time-current curve



Photovoltaic DC fuse

10×85 1500VDC

(φ10x85)mm



Specifications

Rated voltage: 1500Vdc
 Rated current: 10A~30A
 Protection category: Full range protection of PV system

Typical application

PV combiner box - Solar PV module protection

Product features

Low temperature rise, low power consumption and long service life
 Standardized size and compact structure

Applicable holder & base

THPV-30L

Standard

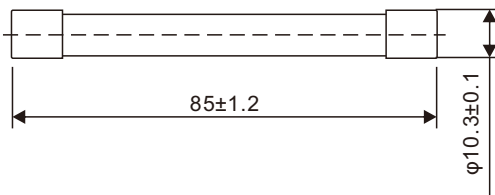
IEC60269-6

Product parameters

Product code	Rated current	Breaking capacity	Safety certificate	Power loss 1.0In (W)	Net weight
			CE		
THPV30L/10NF	10A	40kA	•	3.4	19g
THPV30L/12NF	12A		•	3.7	
THPV30L/15NF	15A		•	4.0	
THPV30L/20NF	20A		•	4.6	
THPV30L/25NF	25A		•	5.6	
THPV30L/30NF	30A		•	6.5	

Note: • DENOTES FOR CERTIFICATION APPROVED

Product size (mm)

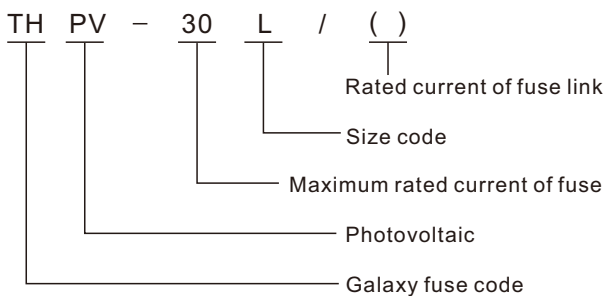


Time-current characteristic

Standard: UL248-19		Standard: IEC60269-6	
135% In	200% In	113% In	145% In
< 1h fusing	< 240s fusing	< 1h non fusing	< 1h fusing

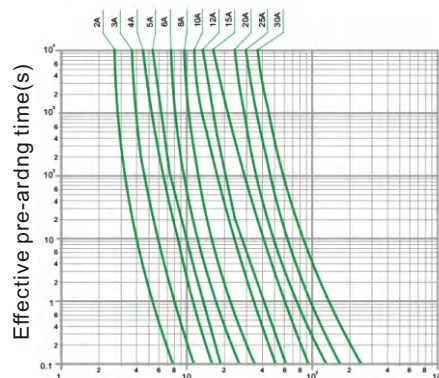
Note: Subsequent standard updates will not affect the performance and normal use of the product.

Model explanation



Prospective fault current (Amps)

Time-current curve



THPV-32 1500Vdc

Fit for (φ10.3x38)mm Fuse link



Specifications

Rated voltage: 1500Vdc
Rated current: 30A

Standard

IEC60269-6

Typical application

PV combiner box

Product features

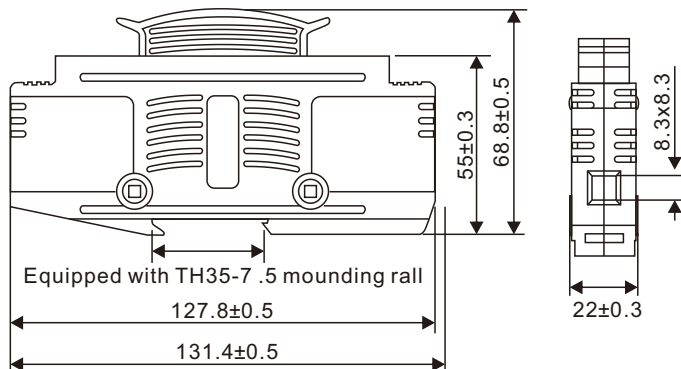
Imported nylon material, V0 flame retardant, high and low temperature resistance
≥24h salt spray test, resistance to acid environment
Silver-plated copper terminal blocks, low temperature rise

Product parameters

Product code	Rated current	Breaking capacity	Safety certificate	Fitted with fuse -link model size	Net weight
			CE		
THPV-30L	30A	40kA	◦	THPV-30L (φ10.3x85)mm	94.5g

Note: • DENOTES FOR CERTIFICATION APPROVED ◦ DENOTES FOR PENDING CERTIFICATION

Product size (mm)



THPV-160 1000Vdc



Specifications

Rated voltage: 1000Vdc
 Rated current: 100A~160A
 Protection category: Full range protection of PV system

Typical application

Protecting the PV combiner box, isolating switch and inverter, and breaking the fault overload current generated by the PV array

Product features

Low temperature rise, low power consumption and long service life
 Standardized size and compact structure

Standard

IEC60269-6

Applicable holder & base

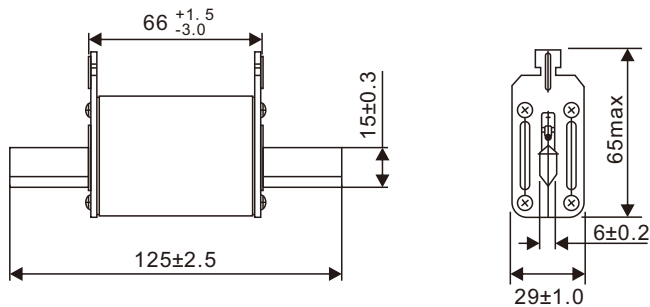
THPV-160

Product parameters

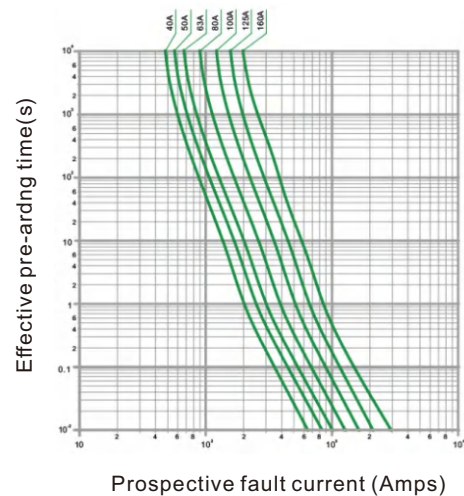
Product code	Rated current	Breaking capacity	Safety certificate	Power loss 1.0In (W)	Net weight
			CE		
THPV160/100NF	100A	1000Vdc	•	10.8	0.275kg
THPV160/125NF	125A		•	13.6	
THPV160/160NF	160A		•	17.4	

Note: • DENOTES FOR CERTIFICATION APPROVED

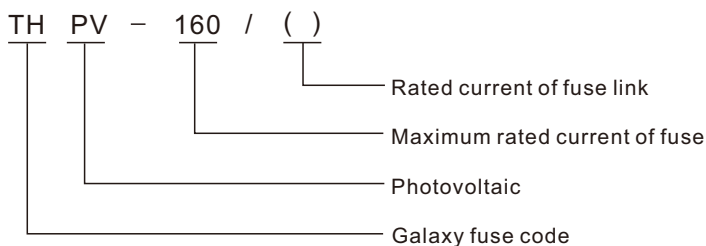
Product size (mm)



Time-current curve



Model explanation



THPV-160 1000Vdc

Fit for (φ10.3x38)mm Fuse link



Specifications

Rated voltage: 1000Vdc
Rated current: 160A

Standard

IEC60269-6
EN60269-6

Product features

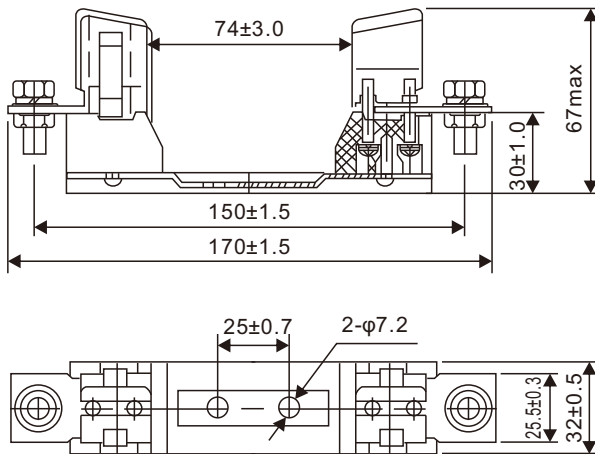
≥24h salt spray test, resistance to acid environment
Silver-plated copper terminal blocks, low temperature rise

Product parameters

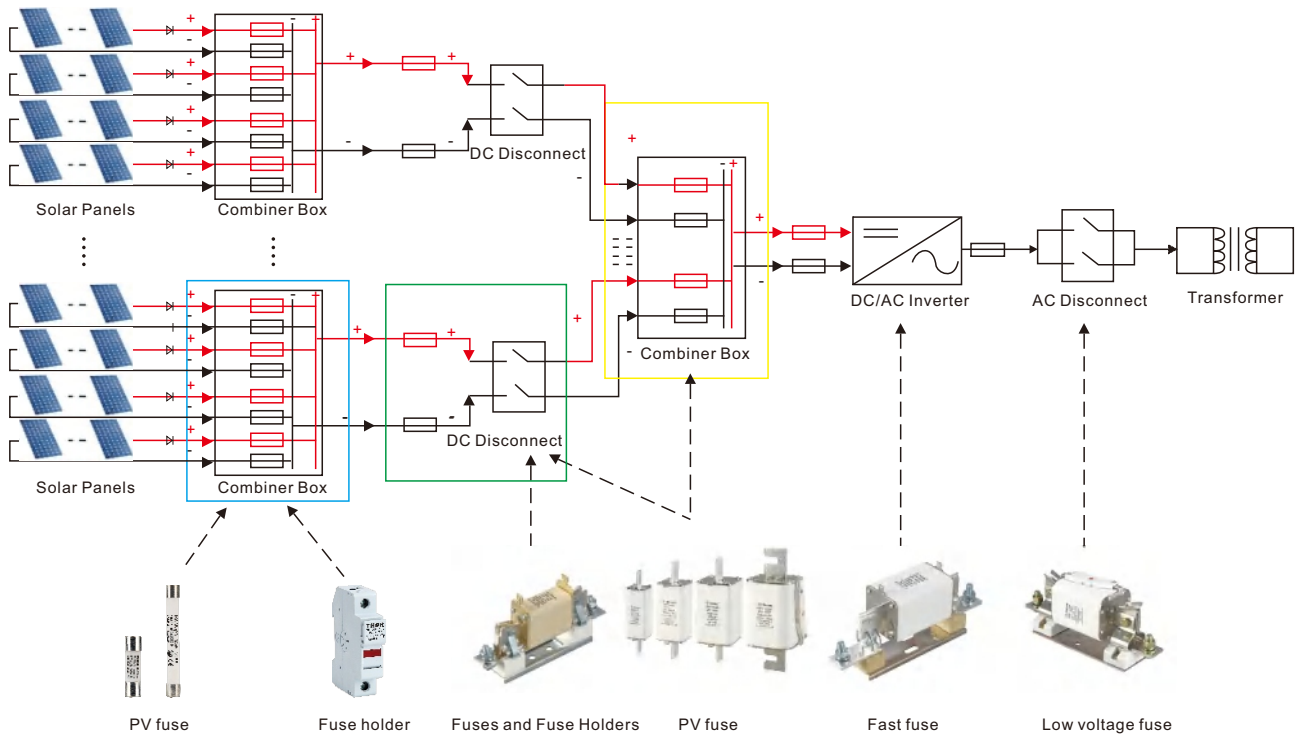
Product code	Rated current	Breaking capacity	Safety certificate	Fitted with fuse -link model size	Net weight
			CE		
THPV-160	160A	1000Vdc	◦	THPV-160	0.322kg

Note: • DENOTES FOR CERTIFICATION APPROVED ◦ DENOTES FOR PENDING CERTIFICATION

Product size (mm)



PV power distribution network



shape	size	Fuse Mounting Type	Product number	Rated current	Rated voltage
cylindrical cap	φ10.3x38mm	TH35-7.5	THPV-30(S)	2, 3, 4, 5, 6, 8, 10, 12, 15, 20, 25, 30	1000Vdc/1500Vdc
		Bolted			
		Printed circuit board (pins)			
Square tube knife	1	Knife contact	THPV-250	80, 100, 125, 160, 200, 250	
		Bolted			

Photovoltaic DC fuse



THOR

Zhejiang THOR Electric Co.,Ltd

ADD: Qianyangdong Industrial Zone Yueqing
Zhejiang Province,China Post code:325604

TEL: +86-577-6267 7705

Main Web: www.thorele.com

Sub Web 1 : www.thorspd.com

Sub Web 2: www.thorsurge.com

