

# THOR

PROTECTOR OF LIGHTNING PROTECTION  
- SINCE 2006 -

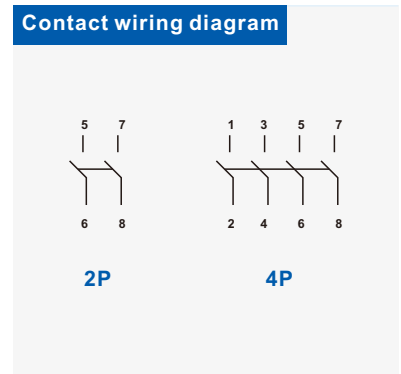
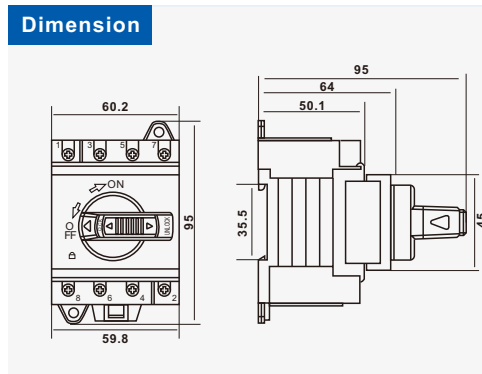
# Catalogue Isolating switch



## TRPV DC Isolator switch L1 series

L1 Series DC Isolator Switch is applied to 1~20 KW residential or commercial photovoltaic system, placed between photovoltage modules and inverters. Arcing time is less than 8ms, that keeps solar system more safe. To ensure its stability and long service life, our products are made by components with optimum quality. Max voltage is up to 1200V DC. It holds a safe lead among similar products.

- IP20 Protection Level
- Din rail mounted
- 16A, 25A, 32A, 1200V DC
- The handle can be locked in the "OFF" position
- 2 Pole, 4 Poles are viable (Single I Double String)
- Standard: IEC60947-3, AS60947.3
- DC-PV2, DC-PV1, DC-21B



DC Isolator switch L1

### Electrical Characteristics

Type	TRPV16-L1, TRPV25-L1, TRPV32-L1		
Standard	IEC60947 -3, AS60947.3		
Utilization category	DC-PV2	DC-PV1	DC-21B
Pole	4P		
Rated frequency	DC		
Rated operational voltage	$U_e$	300V, 600V, 800V, 1000V, 1200V	
Rated operational voltage	$I_e$	See the page 7	
Rated insulation voltage	$U_l$	1200V	
Conventional enclosed thermal current	$I_{the}$	Same as $I_e$	
Rated short-time withstand current	$I_{cw}$	1kA, 1s	
Rated impuled withstand voltage	$U_{imp}$	8.0kV	
Overtoltage category	II		
Suitability for isolation	YES		
Polarity	No polarity, "+" and "-" polarities could be interchanged.		
ingress protection   Switch Body	IP20		

### Electrical Characteristics

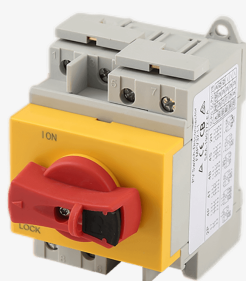
Mechanical	18000
Electrical	2000

## TRPV DC Isolator switch L2 series

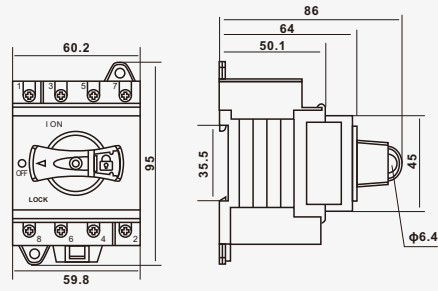
L2 Series DC Isolator Switch is applied to 1~20 KW residential or commercial photovoltaic system, placed between photovoltaic modules and inverters. Arcing time is less than 8ms, that keeps solar system more safe. To ensure its stability and long service life, our products are made by components with optimum quality. Max voltage is up to 1200V DC. It holds a safe lead among similar products.

- IP20 Protection Level
- Din rail mounted
- 16A, 25A, 32A, 1200V DC
- The handle can be locked in the "OFF" position
- 2 Pole, 4 Poles are viable (Single I Double String)
- Standard: IEC60947-3, AS60947.3
- DC-PV2, DC-PV1, DC-21B

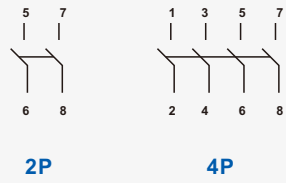
**Product**



**Dimension**



**Contact wiring diagram**



### Electrical Characteristics

Type	TRPV16-L2, TRPV25-L2, TRPV32-L2		
Standard	IEC60947 -3, AS60947.3		
Utilization category	DC-PV2	DC-PV1	DC-21B
Pole	4P		
Rated frequency	DC		
Rated operational voltage	$U_e$	300V, 600V, 800V, 1000V, 1200V	
Rated operational voltage	$I_e$	See the page 7	
Rated insulation voltage	$U_l$	1200V	
Conventional enclosed thermal current	$I_{the}$	Same as $I_e$	
Rated short-time withstand current	$I_{cw}$	1kA, 1s	
Rated impuled withstand voltage	$U_{imp}$	8.0kV	
Overtoltage category	II		
Suitability for isolation	YES		
Polarity	No polarity, "+" and "-" polarities could be interchanged.		
Ingress protection   Switch Body	IP20		

### Electrical Characteristics

Mechanical	18000
Electrical	2000


DC Isolator switch L2

TRPV DC Isolator switch NL1/T series

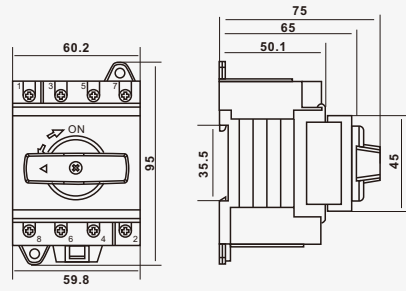
NL 1/T Series DC Isolator Switch is applied to 1~20 KW residential or commercial photovoltaic system, placed between photovoltaic modules and inverters. Arcing time is less than 8ms, that keeps solar system more safe. To ensure its stability and long service life, our products are made by components with optimum quality. Max voltage is up to 1200V DC. It holds a safe lead among similar products.

- IP20 Protection Level
- Din rail mounted
- Ultra-thin handle
- 2 Pole, 4 Poles are viable (Single | Double String)
- Standard: IEC60947-3, AS60947.3
- DC-PV2, DC-PV1, DC-21B
- 16A, 25A, 32A, 1200V DC

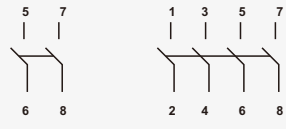
**Product**



**Dimension**



**Contact wiring diagram**



**2P**                      **4P**

DC Isolator switch NL1/T

**Electrical Characteristics**

Type	TRPV16-NL1/T, TRPV25-NL1/T, TRPV32-NL1/T		
Standard	IEC60947 -3, AS60947.3		
Utilization category	DC-PV2	DC-PV1	DC-21B
Pole	4P		
Rated frequency	DC		
Rated operational voltage	$U_e$	300V, 600V, 800V, 1000V, 1200V	
Rated operational voltage	$I_e$	See the page 7	
Rated insulation voltage	$U_l$	1200V	
Conventional enclosed thermal current	$I_{the}$	Same as $I_e$	
Rated short-time withstand current	$I_{cw}$	1kA, 1s	
Rated impuled withstand voltage	$U_{imp}$	8.0kV	
Overtoltage category	II		
Suitability for isolation	YES		
Polarity	No polarity, "+" and "-" polarities could be interchanged.		
Ingress protection   Switch Body	IP20		

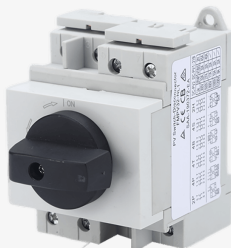
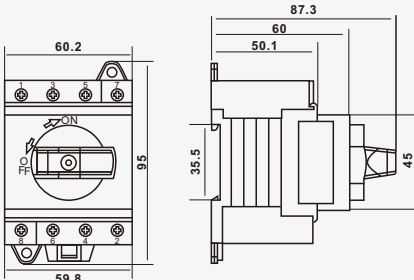
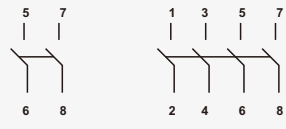
**Electrical Characteristics**

Mechanical	18000
Electrical	2000

## TRPV DC Isolator switch NL1 series

NI1 Series DC Isolator Switch is applied to 1~20 KW residential or commercial photovoltaic system, placed between photovoltage modules and inverters. Arcing time is less than 8ms, that keeps solar system more safe. To ensure its stability and long service life, our products are made by components with optimum quality. Max voltage is up to 1200V DC. It holds a safe lead among similar products.

- IP20 Protection Level
- Din rail mounted
- Switch body for 4P CB4N or CB8N
- 2 Pole, 4 Poles are viable (Single I Double String)
- Standard: IEC60947-3, AS60947.3
- DC-PV2, DC-PV1, DC-21B
- 16A, 25A, 32A, 1200V DC

Product	Dimension	Contact wiring diagram
		 <p style="text-align: center;"><b>2P</b>                      <b>4P</b></p>

### Electrical Characteristics

Type	TRPV16-NL1, TRPV25-NL1, TRPV32-NL1		
Standard	IEC60947 -3, AS60947.3		
Utilization category	DC-PV2	DC-PV1	DC-21B
Pole	4P		
Rated frequency	DC		
Rated operational voltage	$U_e$	300V, 600V, 800V, 1000V, 1200V	
Rated operational voltage	$I_e$	See the page 7	
Rated insulation voltage	$U_l$	1200V	
Conventional enclosed thermal current	$I_{the}$	Same as $I_e$	
Rated short-time withstand current	$I_{cw}$	1kA, 1s	
Rated impuled withstand voltage	$U_{imp}$	8.0kV	
Overtoltage category	II		
Suitability for isolation	YES		
Polarity	No polarity, "+" and "-" polarities could be interchanged.		
Ingress protection   Switch Body	IP20		

### Electrical Characteristics

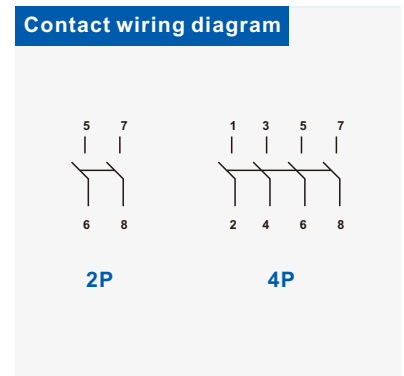
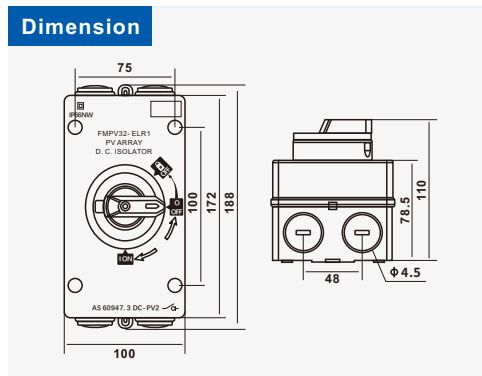
Mechanical	18000
Electrical	2000

DC Isolator switch NL1

## TRPV DC Isolator switch ELR1 series

ELR1 Series DC Isolator Switch in plastic enclosure is applied to 1~20 KW residential or commercial photovoltaic system, placed between photovoltage modules and inverters. Arcing time is less than 8ms, that keeps solar system more safe. To ensure its stability and long service life, our products are made by components with optimum quality. Max voltage is up to 1200V DC. It holds a safe lead among similar products.

- IP66 rated enclosure, UV Resistant
- 2 X mounting tabs, 4 X M25 threaded holes
- The handle can be padlocked in the "OFF" position
- MC4 plugs with adaptor or cable gland can be selected for convenient connection and space saving
- IP66 Air valve helps air flowing and reducing temperature
- 2 Pole, 4 Poles are viable (Single I Double String)
- Standard: IEC60947-3, AS60947.3
- DC-PV2, DC-PV1, DC-21B
- 16A, 25A, 32A, 1200V DC



DC Isolator switch ELR1

### Electrical Characteristics

Type	TRPV16-ELR1, TRPV25-ELR1, TRPV32-ELR1		
Standard	IEC60947 -3, AS60947.3		
Utilization category	DC-PV2	DC-PV1	DC-21B
Pole	4P		
Rated frequency	DC		
Rated operational voltage	$U_e$	300V, 600V, 800V, 1000V, 1200V	
Rated operational voltage	$I_e$	See the page 7	
Rated insulation voltage	$U_l$	1200V	
Conventional enclosed thermal current	$I_{the}$	Same as $I_e$	
Rated short-time withstand current	$I_{cw}$	1kA, 1s	
Rated impuled withstand voltage	$U_{imp}$	8.0kV	
Overvoltage category	II		
Suitability for isolation	YES		
Polarity	No polarity, "+" and "-" polarities could be interchanged.		
ingress protection   Switch Body	IP66		

### Electrical Characteristics


Mechanical	18000
Electrical	2000

## TRPV DC Isolator switch ELR2 series

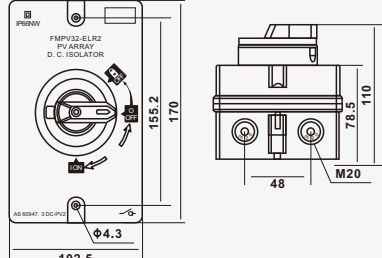
ELR2 Series DC Isolator Switch in plastic enclosure is applied to 1~20 KW residential or commercial photovoltaic system, placed between photovoltage modules and inverters. Arcing time is less than 8ms, that keeps solar system more safe. To ensure its stability and long service life, our products are made by components with optimum quality. Max voltage is up to 1200V DC. It holds a safe lead among similar products.

- IP66 rated enclosure, UV Resistant
- 4 X M20 knock holes
- The handle can be padlocked in the "OFF" position
- MC4 plugs can be selected for Convenient connection and space saving
- 2 Pole, 4 Poles are viable (Single I Double String)
- Standard: IEC60947-3, AS60947.3
- DC-PV2, DC-PV1, DC-21B
- 16A, 25A, 32A, 1200V DC

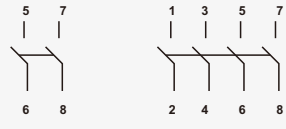
**Product**



**Dimension**



**Contact wiring diagram**



**2P**                      **4P**

### Electrical Characteristics

Type	TRPV16-ELR2, TRPV25-ELR2, TRPV32-ELR2		
Standard	IEC60947 -3, AS60947.3		
Utilization category	DC-PV2	DC-PV1	DC-21B
Pole	4P		
Rated frequency	DC		
Rated operational voltage	$U_e$	300V, 600V, 800V, 1000V, 1200V	
Rated operational voltage	$I_e$	See the page 7	
Rated insulation voltage	$U_l$	1200V	
Conventional enclosed thermal current	$I_{the}$	Same as $I_e$	
Rated short-time withstand current	$I_{cw}$	1kA, 1s	
Rated impuled withstand voltage	$U_{imp}$	8.0kV	
Overtoltage category	II		
Suitability for isolation	YES		
Polarity	No polarity, "+" and "-" polarities could be interchanged.		
Ingress protection   Switch Body	IP66		

### Electrical Characteristics

Mechanical	18000
Electrical	2000

DC Isolator switch ELR2

TRPV DC Isolator switches

Rated Voltage / Rated Current

Wiring	Type	300V	600V	800V	1000V	1200V
2P/4P	TRPV16 series	16A	16A	12A	8A	6A
	TRPV25 series	25A	25A	15A	9A	7A
	TRPV32 series	32A	27A	17A	10A	8A
4T/4B/4S	TRPV16 series	16A	16A	16A	16A	16A
	TRPV25 series	25A	25A	25A	25A	25A
	TRPV32 series	32A	32A	32A	32A	32A
2H	TRPV16 series	16A	35A	/	/	/
	TRPV25 series	25A	40A	/	/	/
	TRPV32 series	32A	40A	/	/	/

Switching Configurations

Type	2-pole	4-pole	2-pole 4 poles in series Input and Output bottom	2-pole 4 poles in series Input and Output on top	2-pole 4 poles in series Input on top Output bottom	2-pole 4 paralleled poles
/	2P	4P	4T	4B	4S	2H
Contacts Wiring graph						
Switching example						

Bridging links installation



\*Please note that all connections (including bridging link connections ):should be tightened before energization.





Cherish resources  
Be kind to the environment



# THOR

## Zhejiang THOR Electric Co.,Ltd

ADD: Qianyangdong Industrial Zone Yueqing  
Zhejiang Province,China Post code:325604

TEL: +86-577-6267 7705

Main Web: [www.thorele.com](http://www.thorele.com)

Sub Web 1 : [www.thorspd.com](http://www.thorspd.com)

Sub Web 2: [www.thorsurge.com](http://www.thorsurge.com)

